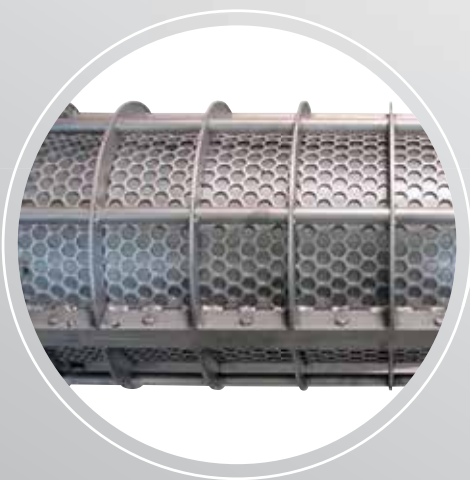




Innovative Filtration Solutions
Consultants & Equipment Suppliers

 www.ifs-consultants.com.au  +61 (0)8 6555 1807

SCREW PRESS HIGH FLOW SP-HF



SOLE DISTRIBUTOR OF

IEA PRESS

FOR AUSTRALIA, NEW ZEALAND & SE-ASIA

BENEFITS

IEA-PRESS HIGH FLOW

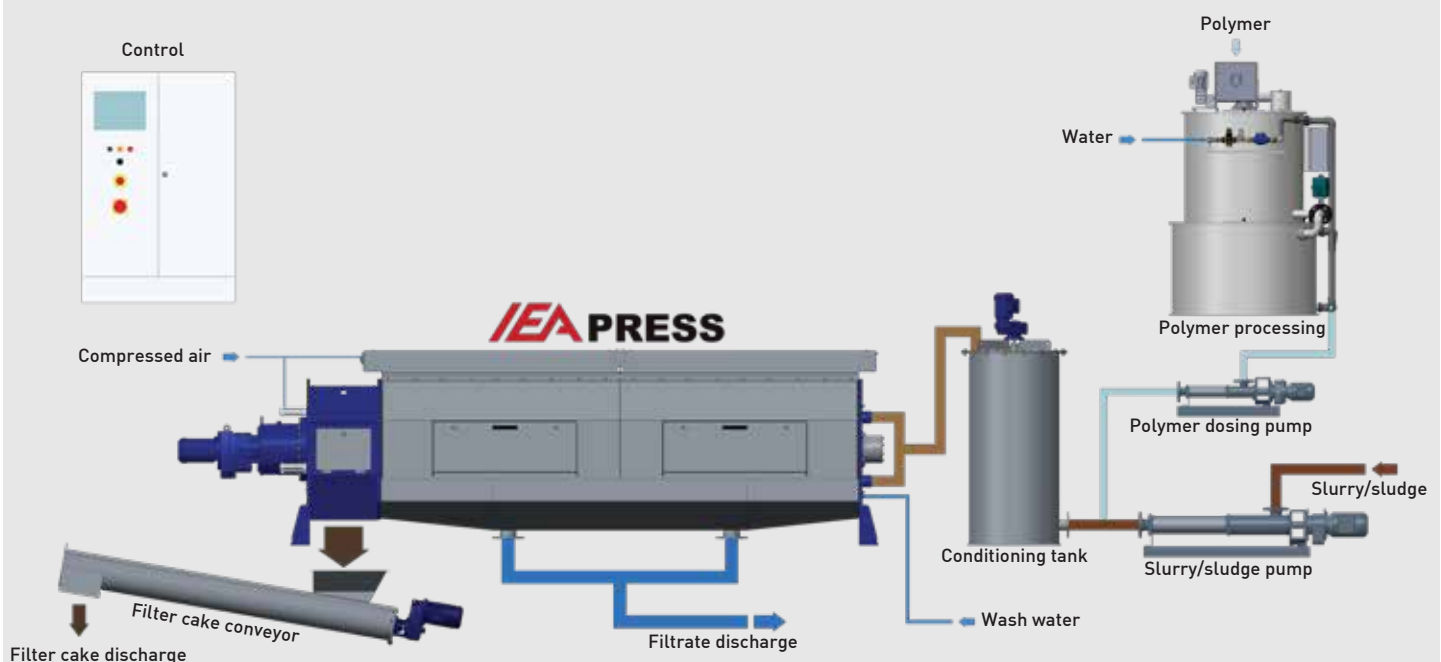
Improvements have been made to the design of the „High Flow“ model IEA press based on the tried and tested IEA screw press.

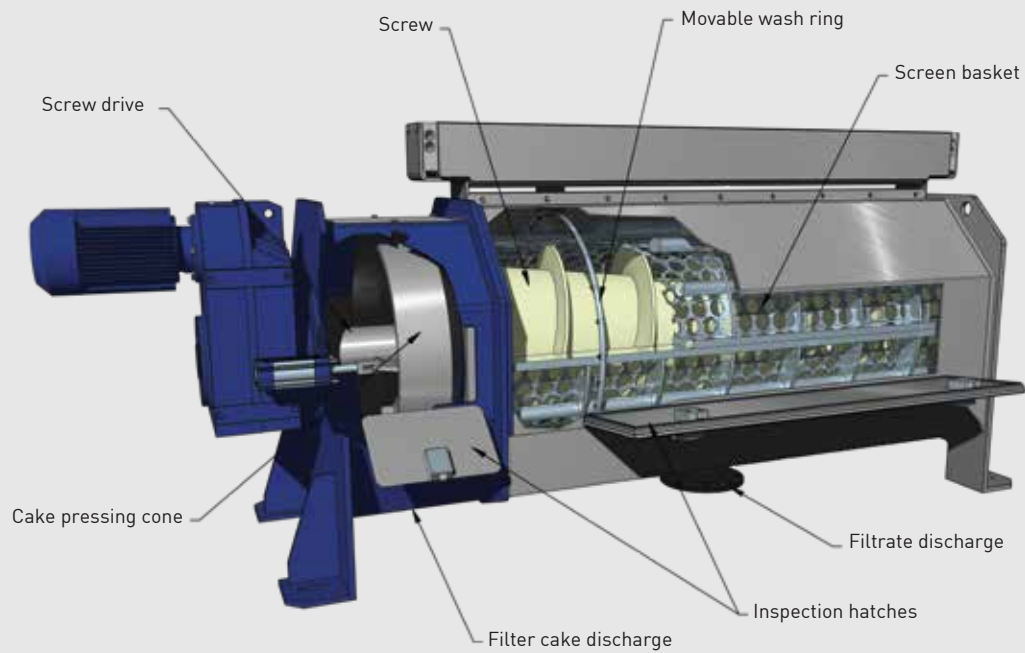
Specially developed screen and screw technology makes it possible to achieve increased dewatering rates with the same nominal flow output.

For municipal and industrial applications the degree of dewatering can be increased by up to 10% or the throughput capacity of the screw press can be raised by up to 30%.

The fully automatic in situ washing unit enables a screen basket wash without interruption to the dewatering operation, as well as a substantial reduction in the requirement for wash water.

- Maximum dewatering at high throughput capacity
- Continuous operating system
- Noise level \leftarrow 65 dB
- Low wear (screw speed \leftarrow ~1 rpm)
- Long operating life
- Worn sealing lip easy to change even when the screw is installed (screw does not need to be disassembled).
- Replaceable screen inserts, to enable dewatering of different grades of slurry/sludge
- Horizontally divided screen cylinder for easier maintenance.
- All wetted parts made from stainless steel or high quality materials
- Screen basket wash during full operation





Standard version SP-HF with horizontally divided screen basket and replaceable fine screen inserts

Model Screw Press SP-HF	Dimensions (mm) length x width x height			Weight of machine (kg)	Operating weight (kg)
SP-HF 03	2010	500	910	650	830
SP-HF 04	2720	750	1070	900	1200
SP-HF 05 XL	3800	850	1214	1680	2330
SP-HF 06 XL	5200	1000	1450	2850	3830
SP-HF 07 XL	5700	1290	1759	4150	5180
SP-HF 08 XL	6460	1440	1840	5500	7450
SP-HF 09 XL	7080	1530	1980	7380	10380
SP-HF 10 XL	7710	1630	2080	8180	12280
SP-HF 11 XL	7110	1730	2180	9060	13760
SP-HF 12 XL	7610	1830	2280	10970	17170
SP-HF 13 XL	10040	2030	2380	18750	26600

Version SP-HF „XLG“ with horizontally divided new-design screen basket and replaceable fine screen inserts.

Model Screw Press SP-HF „XLG“	Dimensions (mm) length x width x height			Weight of machine (kg)	Operating weight (kg)
SP-HF 03 XLG	2010	500	910	600	780
SP-HF 04 XLG	2720	750	1070	850	1150
SP-HF 05 XLG	3800	850	1214	1630	2280
SP-HF 06 XLG	5200	1000	1450	2750	3730

Pilot systems in different designs and sizes are available for test pressings to establish drainage capacities and to demonstrate the function and efficiency of the IEA screw press.

More information at - info@ifs-consultants.com.au



Innovative Filtration Solutions Consultants & Equipment Suppliers

 www.ifs-consultants.com.au  +61 (0)8 6555 1807

3/10 Cohn Street, Carlisle WA 6101 Australia